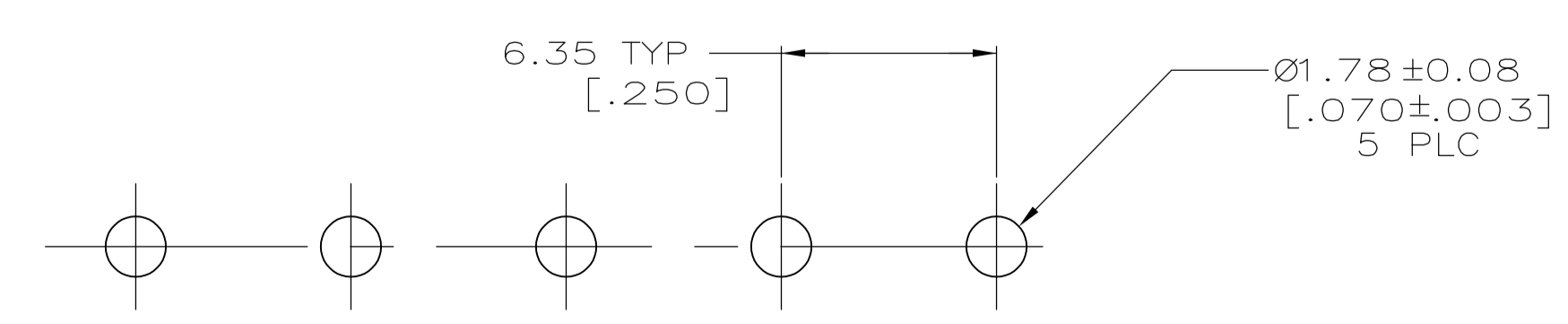
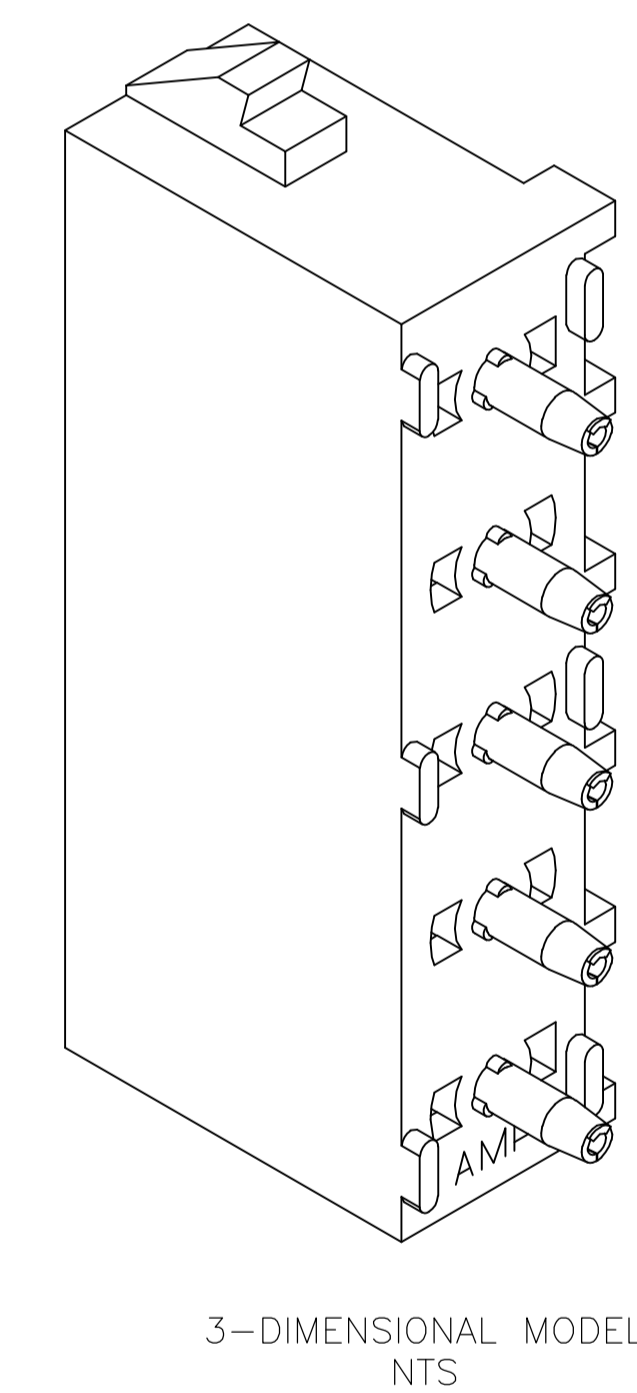
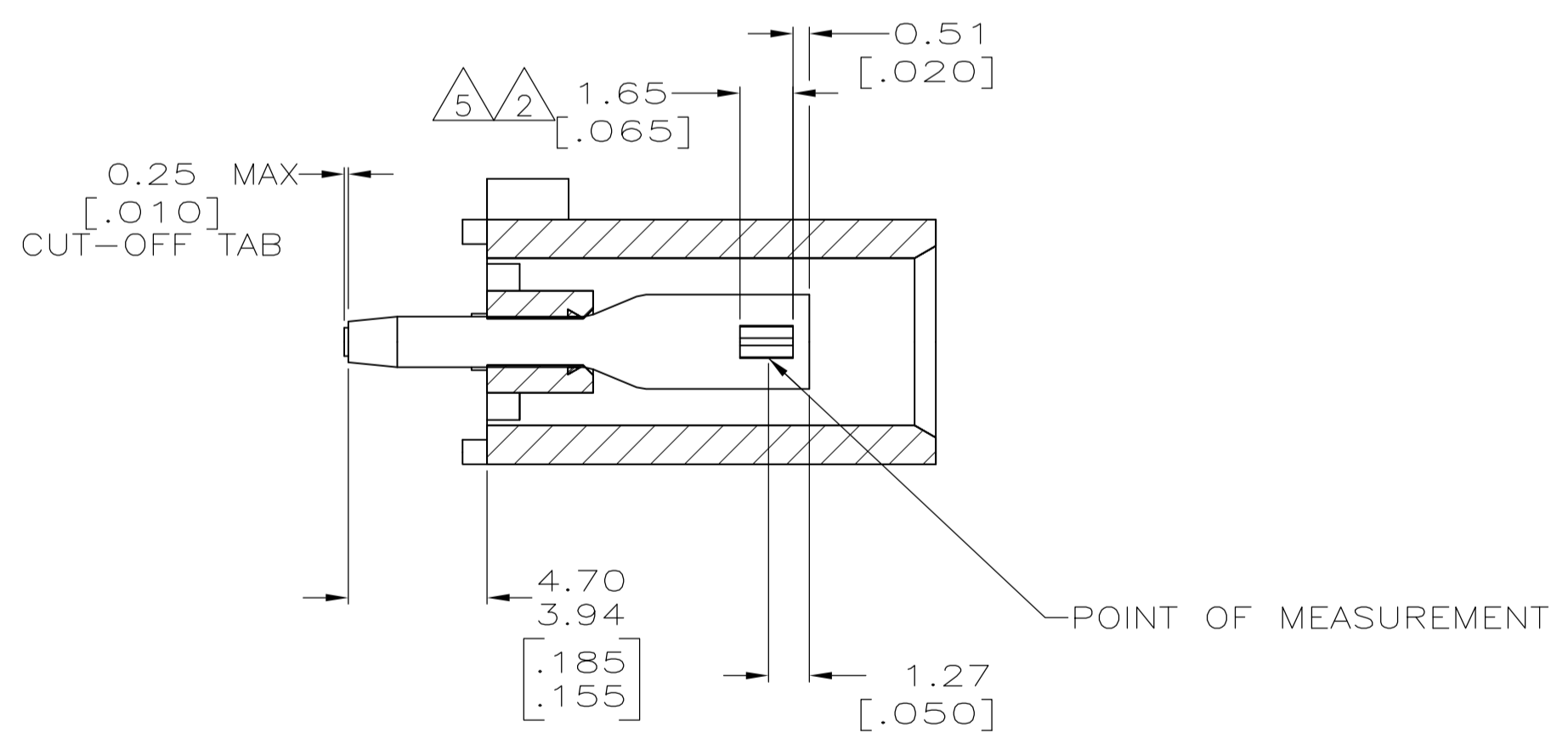


- 1 PARTS COMPLY TO AMP SOLDERABILITY SPECIFICATION 109-11-3.
- 2 CONTACT IS PLATED OVERALL WITH 0.00127 [.000050] NICKEL, THEN 0.00076 [.000030] GOLD OVER CONTACT LENGTH INDICATED AND MATTE TIN LEAD ON SOLDER TAIL END.
- 3 CIRCUIT IDENTIFICATION CHARACTERS ARE ADJACENT TO THE INDICATED CAVITIES, BUT LOCATION AND ORIENTATION MAY DIFFER FROM PRINT.
- 4 DIMENSIONS IN BRACKETS ARE IN INCHES.
- 5 CONTACT IS PLATED OVERALL WITH 0.00127 [.000050] NICKEL, THEN 0.00076 [.000030] GOLD OVER CONTACT LENGTH INDICATED AND MATTE TIN ON SOLDER TAIL END.
- 7 SUPERSEDED BY 640901-3



RECOMMENDED MOUNTING HOLE PATTERN FOR 1.57 [.062] THICK P.C. BOARD

OBSELETE	PHOSPHOR BRONZE, PRE-TIN	NYLON,UL94V-0, BLUE	1-640901-4
OBSELETE	PHOSPHOR BRONZE, PRE-TIN	NYLON,UL94V-0, RED	1-640901-2
	PHOSPHOR BRONZE, GOLD 5	NYLON,UL94V-0, NATURAL	640901-3
	PHOSPHOR BRONZE, GOLD 2	NYLON,UL94V-0, NATURAL	640901-2
	PHOSPHOR BRONZE, PRE-TIN	NYLON,UL94V-0, NATURAL	640901-1
	CONTACT MATERIAL AND FINISH	HOUSING MATERIAL	PART NUMBER

THIS DRAWING IS A CONTROLLED DOCUMENT.		DIN R LEWIS 10-05-98	TE Connectivity
DIMENSIONS: mm [INCHES]		CHK R SWING 10-05-98	
TOLERANCES UNLESS OTHERWISE SPECIFIED:		APVD M TRULL 10-05-98	NAME
0 PLC ± -			SOCKET HEADER ASSEMBLY, 5 CIRCUIT UNIVERSAL MATE-N-LOK™
1 PLC ± -			APPLICATION SPEC
2 PLC ± 0.20[.008]			SIZE CASE CODE DRAWING NO
3 PLC ± -			RESTRICTED TO
4 PLC ± -			WEIGHT
ANGLES ± 0°30'			A1 00779 C=640901
MATERIAL SEE TABLE	FINISH SEE TABLE	SCALE 5:1	SHEET 1 OF 1 REV P